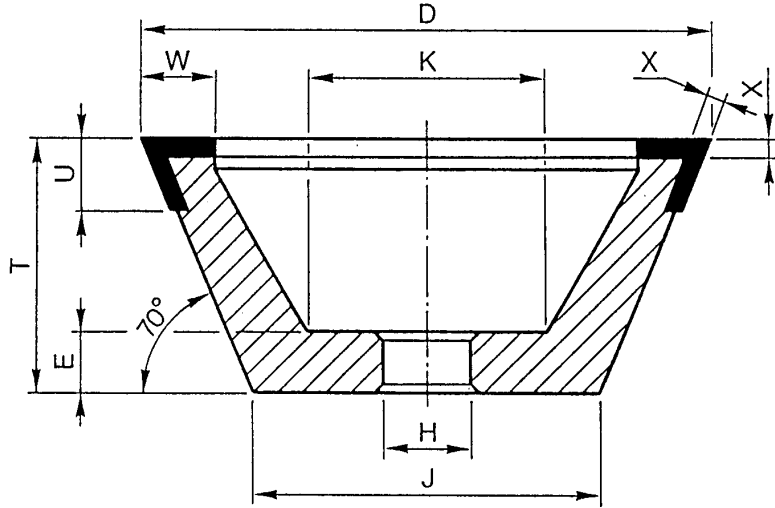
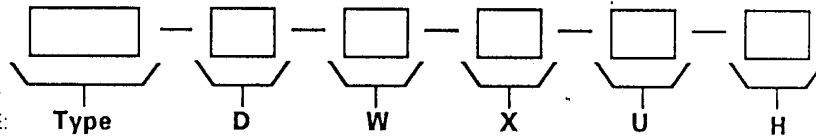


Type 11BB9



PLEASE SPECIFY:
 BITTE GENAU ANGEBEN:
 SPÉCIFIEZ SVP:
 POR FAVOR ESPECIFIQUE:
 PER FAVORE SPECIFICATE:



D	W	X	U	T	E	J	K	H
75	5-8-10	2-3	6-10	30	10	53	~38	
100	8-10-12	2-3	6-10	35	10	75	~51	
125	8-10-12	2-3	6-10	40	10	96	~69	
150	8-10-12	2-3	6-10	50	10	114	~87	

Bore Diameter - Bohrungsmass - Diametre de l'alésage
 Diametro del orificio - Diametro del foro

* In questa tabella le misure sono in "mm"
 * In this table all dimension are in "mm"