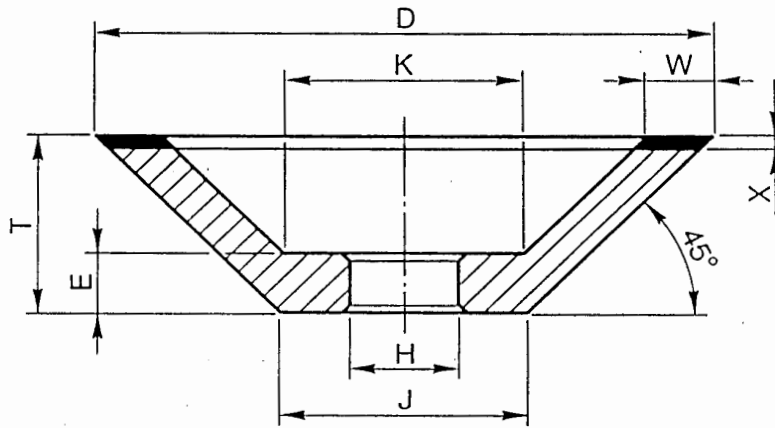
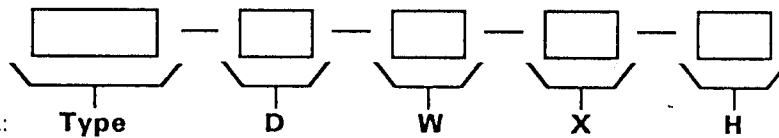


Type 12V2 45°



PLEASE SPECIFY:
 BITTE GENAU ANGEBEN:
 SPÉCIFIEZ SVP:
 POR FAVOR ESPECIFIQUE:
 PER FAVORE SPECIFICATE:



D	W	X	T	E	J	K		H
75	4-5-6	2-3-4	23	10	~31	~21		
100	5-6-8-10	2-3-4	25	10	~56	~38		
125	6-8-10-12	2-3-4	25	10	~81	~56		
150	6-10-15	2-3-4	25	12	106	~81		

Bore Diameter - Bohrungsmass - Diametre de l'ale sage
 Diametro del orificio - Diametro del foro

* In questa tabella le misure sono in "mm"
 * In this table all dimension are in "mm"