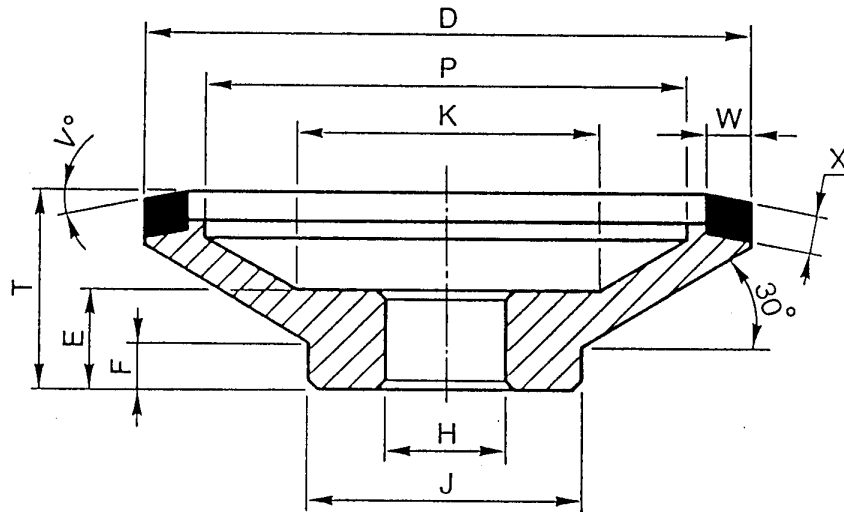
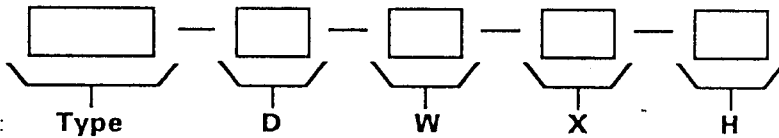


Type 12V56



PLEASE SPECIFY:
 BITTE GENAU ANGEBEN:
 SPÉCIFIEZ SVP:
 POR FAVOR ESPECIFIQUE:
 PER FAVORE SPECIFICATE:



D	W	X	T	E	F	J	K	P	H
100	3-4-5-6	2-3-4-6-8	23	10	4	~57	~47	P = D - (2W+4)	Bore Diameter - Bohrungsmass - Diametre de l'ale sage Diametro del orificio - Diametro del foro
125	4-5-6-8	2-3-4-6-8	25	11	5	~67	~57		
150	4-5-6-8-10	2-3-4-6-8	30	13	6	~80	~70		

* In questa tabella le misure sono in "mm "
 * In this table all dimension are in "mm "