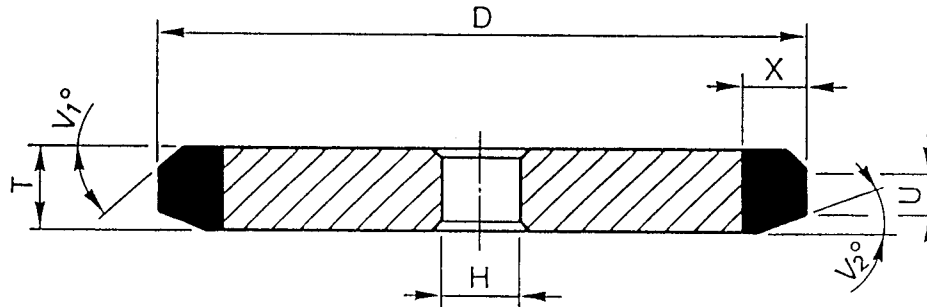
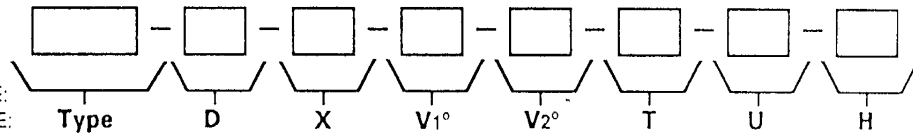


Type 1DD1



PLEASE SPECIFY:
 BITTE GENAU ANGEBEN:
 SPÉCIFIEZ SVP:
 POR FAVOR ESPECIFIQUE:
 PER FAVORE SPECIFICATE:



D	T	X	U	V1	V2				H
75	6-8-10	5-6	0.9-1.9-2.5-2.8-3.7-4	45	22				Bore Diameter - Bohrungsmass - Diametre de l'ale sage Diametro del orificio - Diametro del fbro
100	6-8-10	5-6-8							
125	6-8-10	5-6-8							

* In questa tabella le misure sono in "mm "
 * In this table all dimension are in "mm "