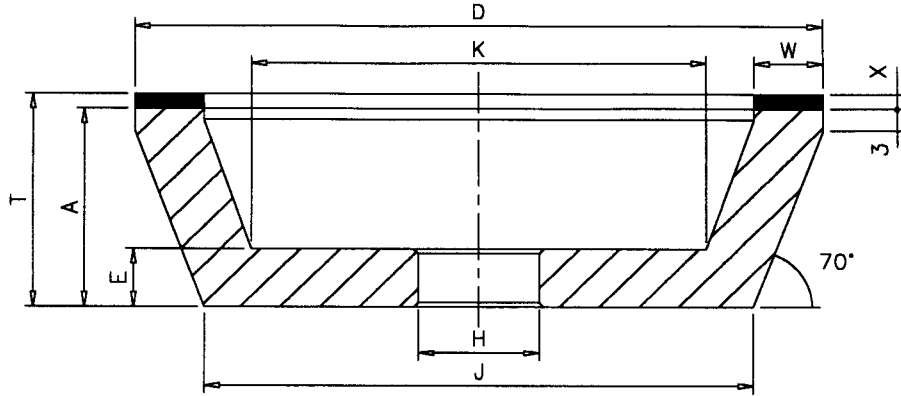
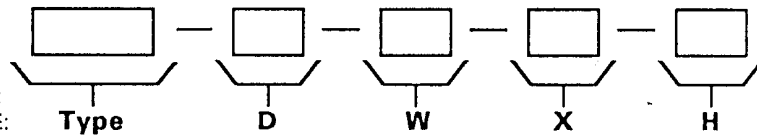


## Type 11A2



PLEASE SPECIFY:  
 BITTE GENAU ANGEBEN:  
 SPÉCIFIEZ SVP:  
 POR FAVOR ESPECIFIQUE:  
 PER FAVORE SPECIFICATE:



D	W	X	T	A	E	J	K	H
75	3-4-5-6-8-10	2-3-4	A+X	20	10	63	48	
100	3-4-5-6-8-10-12-15	2-3-4-6	A+X	23	10	86	68	
125	3-4-5-6-8-10-12-15-20	2-3-4-5-6	A+X	23	10	111	93	
150	4-5-6-8-10-12-15-20	2-3-4-5-6	A+X	23	10	136	118	
175	4-5-6-8-10-12-15-20	2-3-4-6	A+X	23	10	161	143	
200	5-6-8-10-12-15-20	2-3-4-6	A+X	23	10	186	168	

Bore Diameter - Bohrungsmass - Diametre de l'ale sage  
 Diametro del orificio - Diametro del foro

\* In questa tabella le misure sono in "mm "  
 \* In this table all dimension are in "mm "