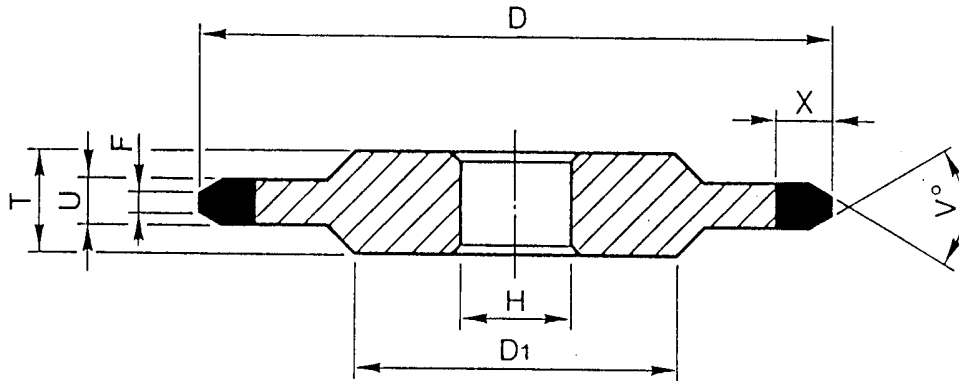


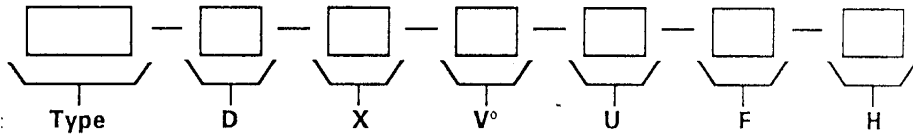
Type 14D1



$D1 = D \times 0.6$
 $T = U + 5$



PLEASE SPECIFY:
 BITTE GENAU ANGEBEN:
 SPÉCIFIEZ SVP:
 POR FAVOR ESPECIFIQUE:
 PER FAVORE SPECIFICATE:



D	V°	U	X						H
75	30-35-40-45-60-90-100-120	1-1.5-2-2.5-3-4-5	6-8-10						
100÷125	30-45-60-90-100-110-120-140-150	1-1.5-2-2.5-3-4-5	6-8-10-12						
150÷175	30-45-60-90-100-110-120-140-150	2-2.5-3-4-5-6-8-10	6-10-12-15						

Bore Diameter - Bohrungsmass - Diametre de l'ale sage
 Diametro del orificio - Diametro del foro

* In questa tabella le misure sono in "mm"
 * In this table all dimension are in "mm"