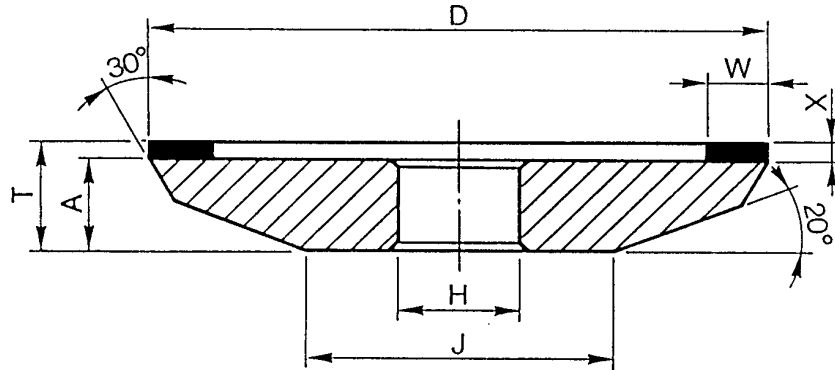
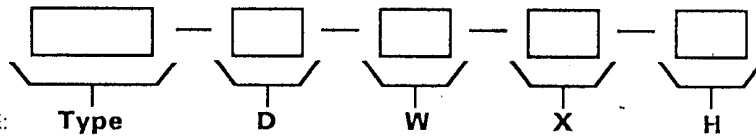


Type 15A2



PLEASE SPECIFY:
 BITTE GENAU ANGEBEN:
 SPÉCIFIEZ SVP:
 POR FAVOR ESPECIFIQUE:
 PER FAVORE SPECIFICATE:



D	W	X	T	A	J				H
75	3-4-5-6	2-3	A+X	9	40				
100	3-4-5-6-8-10	2-3-4	A+X	9	55				
125	5-6-8-10-12	2-3-4	A+X	10	70				
150	6-8-10-12-15	2-3-4	A+X	12	90				

Bore Diameter - Bohrungsmass - Diametre de l'ale sage
 Diametro del orificio - Diametro del foro

* In questa tabella le misure sono in "mm "
 * In this table all dimension are in "mm "