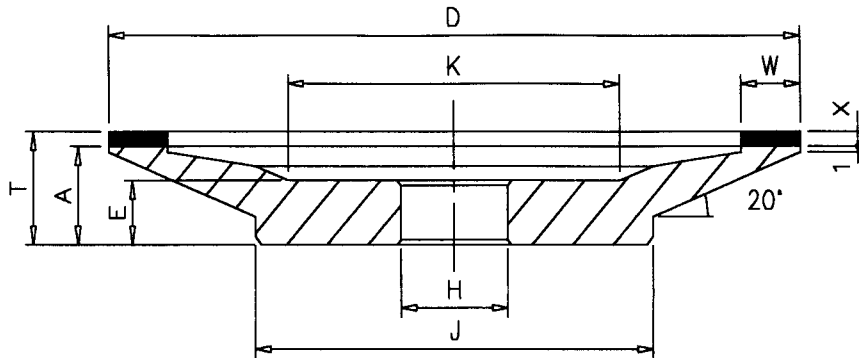


# Type 16A2



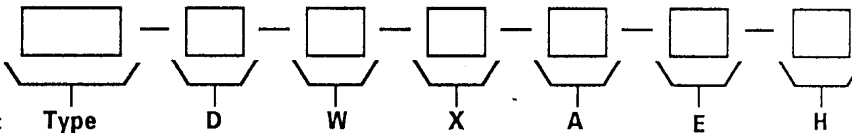
PLEASE SPECIFY:

BITTE GENAU ANGEBEN:

SPÉCIFIEZ SVP:

POR FAVOR ESPECIFIQUE:

PER FAVORE SPECIFICATE:



D	W	X	T	E	A	J	K	H
75	3-4-5-6-8	2-3-4	A+X	6	8	~57	37	
100	3-4-5-6-8-10	2-3-4	A+X	8	10	~77	50	
125	3-4-5-6-8-10-12	2-3-4	A+X	10	14	~80	~55	
150	5-6-8-10-12-15	2-3-4-5	A+X	10	16	~90	~60	
175	6-8-10-12-15	2-3-4-5	A+X	11	26	~95	~65	
200	6-8-10-12-15	2-3-4-5-6	A+X	12	28	100	~70	

Bore Diameter - Bohrungsmass - Diametre de l'ale sage  
Diámetro del orificio - Diametro del foro

\* In questa tabella le misure sono in "mm "

\* In this table all dimension are in "mm "