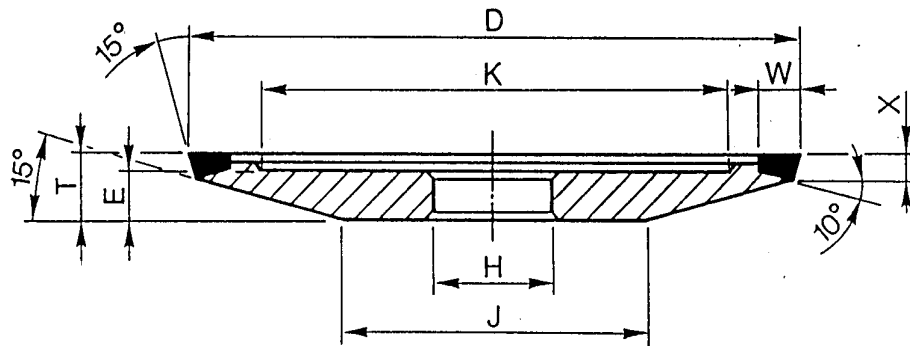
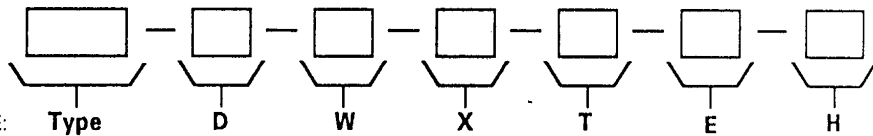


Type 4B9



PLEASE SPECIFY:
 BITTE GENAU ANGEBEN:
 SPÉCIFIEZ SVP:
 POR FAVOR ESPECIFIQUE:
 PER FAVORE SPECIFICATE:



| D | W | X | T | E | | | | | H |
|-----|-----|-------------|-----------|-----------|--|--|--|--|---|
| 100 | 2-3 | 1.5-1.8-3.3 | 8.3-11-14 | 6-8-10-12 | | | | | |
| 125 | 2-3 | 1.5-1.8-3.3 | 8.3-11-14 | 6-8-10-12 | | | | | |
| 150 | 2-3 | 1.5-1.8-3.3 | 8.3-11-14 | 6-8-10-12 | | | | | |
| | | | | | | | | | |
| | | | | | | | | | |
| | | | | | | | | | |
| | | | | | | | | | |
| | | | | | | | | | |

Bore Diameter - Bohrungsmass - Diametre de l'alésage
 Diametro del orificio - Diametro del fbro

* In questa tabella le misure sono in "mm "
 * In this table all dimension are in "mm "