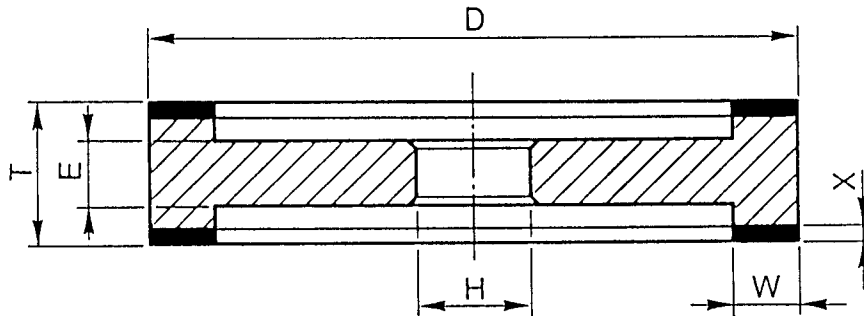
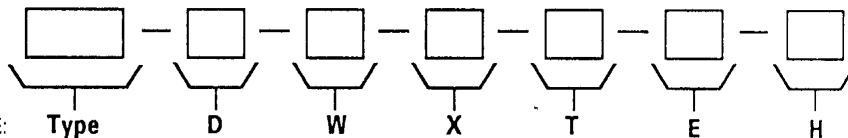


Type 9A3



PLEASE SPECIFY:
 BITTE GENAU ANGEBEN:
 SPÉCIFIEZ SVP:
 POR FAVOR ESPECIFIQUE:
 PER FAVORE SPECIFICATE:



D	W	X	T	E					H
75	4-5-6	2-3	20	9					
100	5-6-8-10	2-3-4	22	10					
125	5-6-8-10	2-3-4	25	10					
150	5-6-8-10	2-3-4	25÷35	14					
175	5-6-8-10-12	2-3-4	25÷35	14					
200	6-6-10-12	2-3-4	30÷35	14					

Bore Diameter - Bohrungsmass - Diametre de l'alésage
 Diametro del orificio - Diametro del foro

* In questa tabella le misure sono in "mm "
 * In this table all dimension are in "mm "